



## P PLUS Series Digger Derrick Pitman Polecat Sheave Heights up to 70'



**P42 Plus Shown Above**

### P PLUS Standard Features

- Center Mount
- Corner Mount
- Rear Mount with Rider Seat
- Boom Travel +80 to -20
- Full Pressure Hydraulic Controls
- Two Stage Hydraulic Steel Boom
- Continuous Planetary Rotation
- Holding Valves
- A-Frame Outriggers
- Outrigger Isolation Kit
- High-Tensile Steel for Low Weight
- Worm Drive Winches
- Hydraulic Auger Drives

Models	Sheave Height	Capacity @ 10'
P42H	42'-5"	16,150
P45H	45'-4"	16,080
P50H	50'-3"	14,760
P55H	55'-2"	15,240
P60H	60'-2"	15,050
P70H	70'-8"	15,050

Pitman Utility Products 13902 Norby Rd. Grandview, MO 64030  
Phone (816) 965-6700 Fax (816) 965-6701 [www.pitmanmfg.com](http://www.pitmanmfg.com)



with Optional Dual Controls

Shown



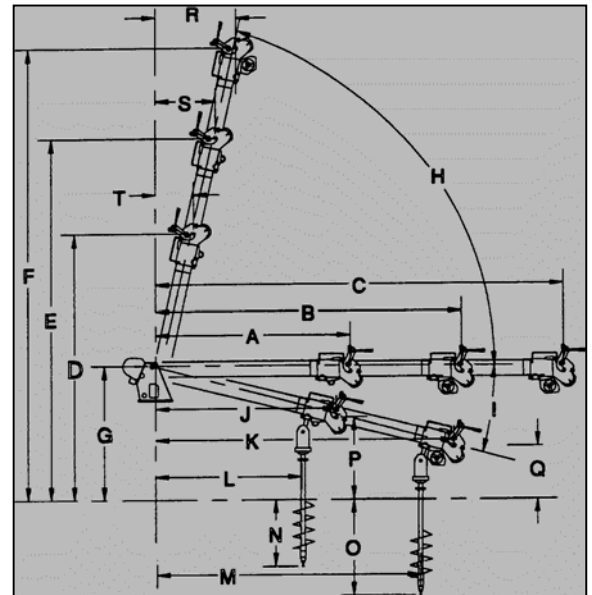
Shown with Optional Digger

Model	A	B	C	D	E	F	G	H	I	J	K	L	M
P42	16'-2"	23'-7"	31'-9"	26'-7"	34'-6"	42'-5"	11'-6"	+80	-20	13'-3"	21'-3"	11'-5"	18'-11"
P45	16'-2"	25'-5"	34'-8"	26'-7"	36'-3"	45'-4"	11'-6"	+80	-20	13'-3"	23'-1"	11'-5"	20'-7"
P50	19'-3"	29'-2"	39'-8"	29'-8"	39'-11"	50'-3"	11'-6"	+80	-20	16'-5"	26'-10"	14'-4"	24'-1"
P55	21'-3"	32'-8"	44'-9"	31'-6"	43'-3"	55'-2"	11'-6"	+80	-20	18'-5"	30'-4"	16'-2"	27'-4"
P60	21'-9"	35'-5"	49'-8"	32'-2"	46'-1"	60'-2"	11'-6"	+80	-20	18'-11"	33'-1"	16'-10"	30'-2"
P70	21'-9"	35'-11"	50'-2"	32'-8"	46'-7"	70'-8"	11'-6"	+80	-20	18'-11"	33'-1"	16'-10"	30'-2"

### Optional Equipment

- Steel or Fiberglass 3<sup>rd</sup> Boom
- Manual or Hydraulic Extension
- Fiberglass Boom Tip
- Single, 2-Speed, and 2-Speed Shift on Demand
- Swing Out Control Console
- Quad Command Single Lever Control
- Tilting and Transferable Pole Claws
- Planetary or Worm Gear Winches
- Articulating Transformer Jibs to 10'
- Platforms at the Boom Tip
- Top Controls at Boom Tip
- Hydraulic Overload Protection
- Digger Stow and Transfer Protection
- Additional Outriggers
- Hydraulic Tool Outlets
- Radio Remote Controls
- Other Options – Consult Factory

### Range Chart Dimensions



Distributed By:

13902 Norby Rd. Grandview, MO 64030  
 Phone (816) 965-6700 Fax (816) 965-6701  
[www.pitmanmfg.com](http://www.pitmanmfg.com)